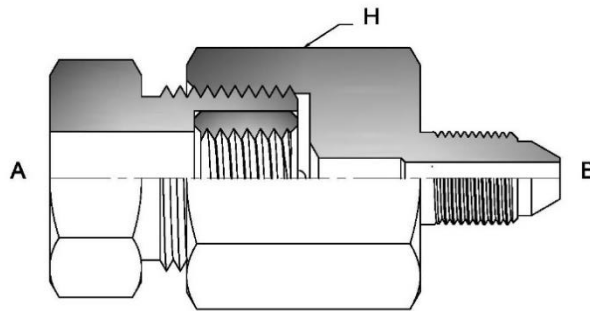


Models:  
ADHM / ADMH

### ADHM AU-F to MU-M Adapter

Model	Connections		Max. Pressure		Orifice [mm.]	Hex (H)
	AU F (A)	MU M (B)	bar	psi		
ADHM-2-2	1/4" AU	1/4" MU	1.550	22.500	2.5	19.05
ADHM-3-2	3/8" AU	1/4" MU	1.550	22.500	2.8	28.50
ADHM-5-3	9/16" AU	3/8" MU	1.550	22.500	5.5	34.92



### ADMH AU-M to MU-F Adapter

Model	Connections		Max. Pressure		Orifice [mm.]	Hex (H)
	AU M (A)	MU F (B)	bar	psi		
ADMH-2-2	1/4" AU	1/4" MU	1.550	22.500	2.5	19.05
ADMH-5-2	9/16" AU	1/4" MU	1.550	22.500	2.8	28.50
ADMH-5-3	9/16" AU	3/8" MU	1.550	22.500	5.5	28.50

