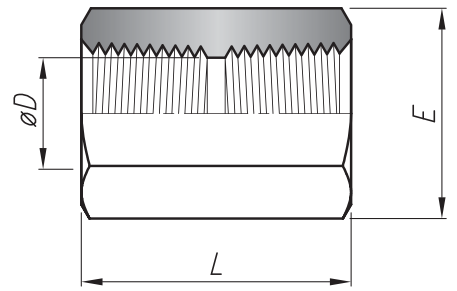


# MEDIUM PRESSURE NPT CONICAL THREAD 1.034 bar/15.000 psi

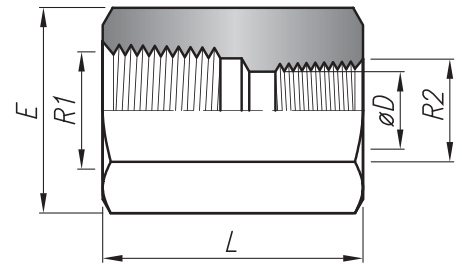
## CUPA Coupling

Model	NPT thread	MEASURES (mm)		
		L	E	ØD
CUPA-2	1/4"	30	25.4	10.6
CUPA-3	3/8"	35	34.9	14.0
CUPA-4	1/2"	44	38.1	17.35



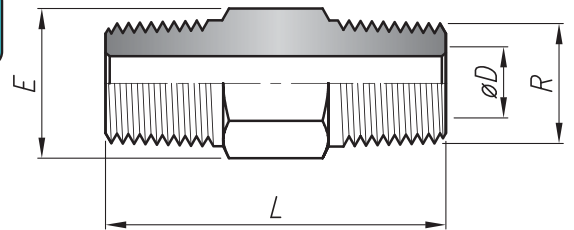
## CURA NPT Reducing Coupling

Model	NPT thread		MEASURES (mm)		
	R1	R2	L	E	ØD
CURA-4-2	1/2"	1/4"	37	38.1	10.6



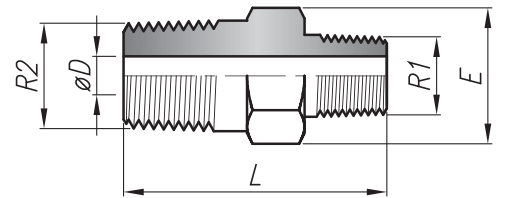
## ENTA NPT Hex Nipple

Model	NPT thread	MEASURES (mm)		
		L	E	ØD
ENTA-2	1/4"	40	14.3	5
ENTA-4	1/2"	50	22.2	8



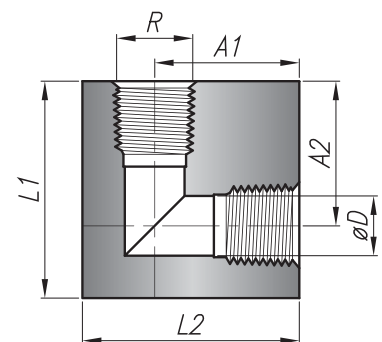
## ENRA NPT Hex Reducing Nipple

Model	NPT thread		MEASURES (mm)		
	R1	R2	L	E	ØD
ENRA-4-2	1/2"	1/4"	43	22.2	5



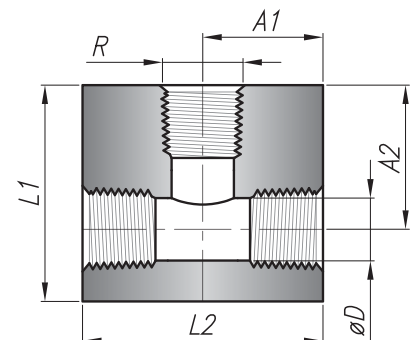
## CHHA NPT Female Elbow

Model	NPT thread	MEASURES (mm)					
		L1	L2	Esp.	ØD	A1	A2
CHHA-2	1/4"	38.1	38.1	25.4	10.6	25.4	25.4
CHHA-4	1/2"	57.1	57.1	38.1	17.35	38.1	38.1



## THHA NPT Female Tee

Model	NPT thread	MEASURES (mm)					
		L1	L2	Esp.	ØD	A1	A2
THHA-2	1/4"	50.8	50.8	25.4	10.6	25.4	25.4
THHA-4	1/2"	57.1	63.5	38.1	17.35	31.75	38.1



Dimensions for reference only, subject to changes. See pag 4 for ordering information