

## VRA-VRM-VRH Medium and High Pressure Check Valves

Check valve with poppet shut off and spring return, properly seized for pressures up to 30,000 psi (2,068 bar)

### Characteristics:

- Properly guided poppet to avoid chattering.
- Elastomer sealing ensures leak-free tightness even at low pressures.
- Robust spring reduces risk of fatigue induced rupture.
- Completely made in Stainless Steel.
- Good performance with alternative fluids.
- NPT and AU connections (includes collar and gland).



### Technical Specifications

#### TEMPERATURE AND PRESSURE RATINGS

Model	Connections	Maximum service pressure @21°C	Service temperature	Cracking pressure
VRA	NPT	15.000 psi	10°F to 400°F	≤ 10 psi (fixed)
VRM	MU	22.500 psi		
VRH	MU	30.000 psi		

#### STANDARD MATERIALS

Body	Poppet	O' ring seal	Spring
AISI 316	AISI 316	Fluoroelastomer	AISI 302

### Ordering Information

VRA 25 I

#### Model

VRA (NPT)

VRM (MU)

VRH (AU)

#### Connections

25: 1/4" NPT H

50: 1/2" NPT H

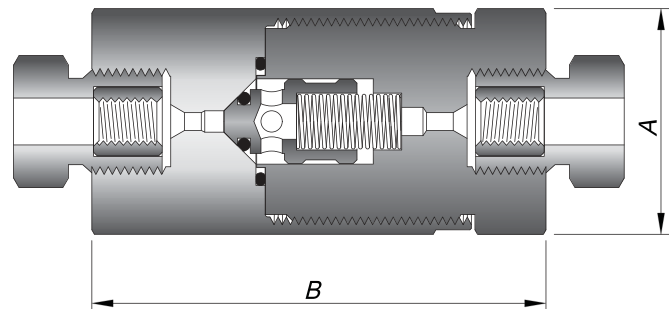
4H: 1/4" AU

9M: 9/16" MU

9H: 9/16" AU

#### Material

I: Stainless Steel



### Mounting Dimensions

Connections	Model	Orificio mm.	Thread	CV Coefficient	Dimensions [mm]	
					A (Hexagon)	B
1/4" NPT H	VRA 25 I	4	1/4" NPT	0.33	27.0	64
1/2" NPT H	VRA 50 I	9	1/2" NPT	1.90	38.1	90
1/4" AU	VRH 4H I	3	9/16 x 18 <sup>(1)</sup>	0.10	31.7	64
9/16" MU	VRM 9M I	9	13/16"x16	1.8	31.7	90
9/16" AU	VRH 9H I	4	1 1/8 x 12 <sup>(2)</sup>	0.45	38.1	87

(1) Compatible with AUTOCLAVE F250C type connection.

(2) Compatible with AUTOCLAVE F562C type connection.