

VM1 Gauge valve

The **VM1** series is the best choice when a compact and unexpensive installation of a gauge is required. It is manufactured with a needle block valve and an atmosphere venting purge machined in a built in channel.

Characteristics

- Threaded bonnet with backseat that allows repacking under pressure.
- Stainless steel stem and bleed plug.
- 0.20" orifice.
- 1/2" NPT M-F connections.

Specifications

Maximum temperature:

PTFE packing	500 °F
Graphoil packing	930 °F

Maximum working pressure @70°F:

6000 PSI



Standard materials (*)

Version	Body & bonnet	Stem	Seat	Bleed obturator	Packing
Carbon steel	Carbon steel	AISI 420	integral	AISI 316	PTFE/Graphoil
Stainless steel	AISI 316	AISI 316	integral	AISI 316	PTFE/Graphoil
Nace standard	AISI 316	Monel	integral	Monel	PTFE/Graphoil

(*) other materials only on demand.

Ordering information

VM1 50M C G

Model

Connections

(see dimensions table)

Options

PC: strapping option

SG: for sour gas

V1: non rotating point

Packing

T : PTFE

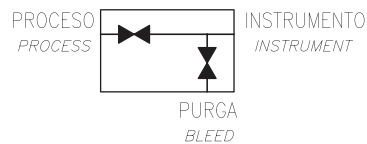
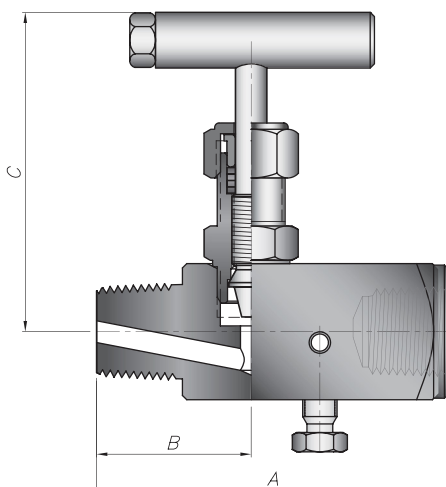
G : Graphoil

Material

C : Carbon steel

I : Stainless steel

Installation required measures



Connections			Dimensions [mm]		
Inlet	Outlet	Model	A	B	C open
1/2 NPT M	1/2 NPT F	VM150M	82	36	74
3/4 NPT M	1/2 NPT F	VM175M	82	36	74