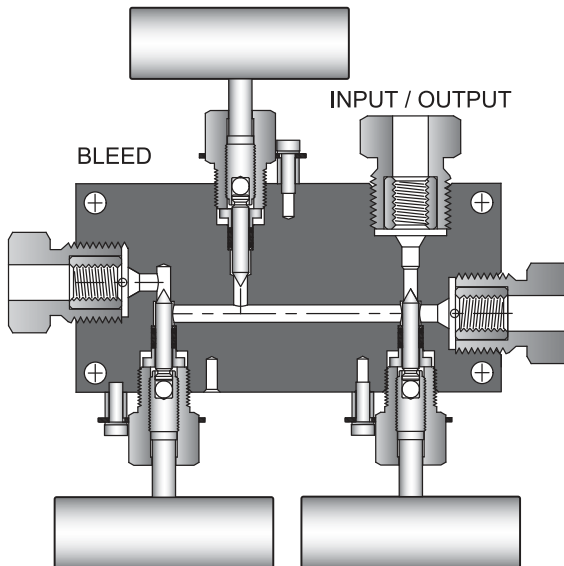


VIM5D/VIH5D Double block & bleed valve

The **double block & bleed valve** is suited with 2 shut-offs, a bleed port and an additional instrument output between shutoffs. Metal to metal sealing with hardened tip for extended lifespan.

It is specially designed for lubrication systems of in service valves. The additional output serves as a manometer port to control the lubricant pressure.

Model	Connections		Max. Service Pressure [psi]	Orifice [mm]
	Input /Output	Bleed		
VIM5D 9M-IT	9/16" MU	1/4" AU	22.500	8
VIH5D 9H-IT	9/16" AU	1/4" AU	30.000	5



MANOMETER

