

VIA5 - VIM5 - VIH5 Medium and high pressure multiple valves

Block and bleed integral valves designed for the appropriate mounting of manometers and pressure transmitters. Three distinct versions: NPT for 15,000 psi, Cone & Thread medium pressure for 22,500 psi and high pressure for 30,000 psi.

Characteristics:

- “Dry thread” bonnets keep the thread and stem isolated from the fluid.
- Non-rotating tip, hardened for bubble-tight sealing and longer lifespan.
- Bonnet unscrew safety.
- Completely made in Stainless Steel.
- NPT, MU and AU connections (includes collar and gland)
- Multiple threaded outputs (only available in the VIA5 model)
- Mounting holes.



Technical Specifications

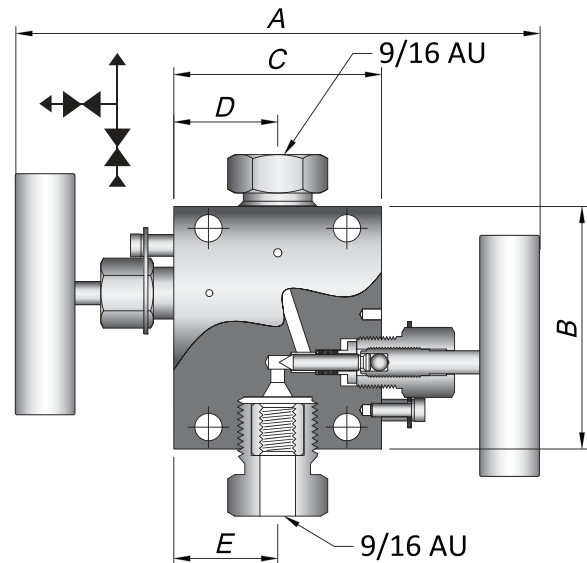
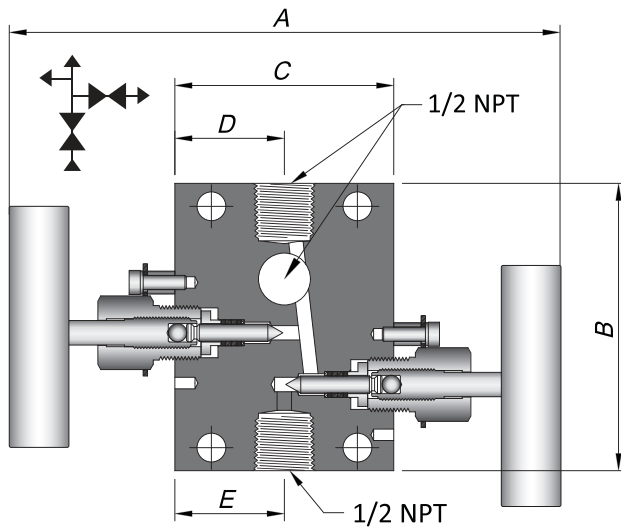
STANDARD MATERIALS

Part	Specification
Body	AISI 316
Tip	17-4 PH
Stem	AISI 316
Packing Gland	Manganese Brass
Packing	Peek + PTFE (std)
Handle	Anodized Al 6061

TEMPERATURE AND PRESSURE RATINGS

Model	Service Pressure @ 21°C	Maximum Temperature
VIA5 (NPT)	15.000 psi	500°F
VIM5 (MU)	22.500 psi	500°F
VIH5 (AU)	30.000 psi	500°F

Mounting Dimensions



Connections		Model	Max. Service Pressure [psi]	Orifice mm.	Dimensions (mm)					
Input/Output	Bleed				A _{Open}	B	C	D	E	Width
1/2" NPT H	1/4" NPT	VIA5 50 IT	15.000	5	195	100	76.2	38.1	38.1	38.1
9/16" MU	1/4" NPT	VIM5 9M IT	22.500	8	195	88.9	76.2	38.1	38.1	32
9/16" AU	1/4" NPT	VIH5 9H IT	30.000	5	195	100	76.2	38.1	38.1	38.1