

VA3 Multi-port block valves

The **VA3** is a block valve designed for installing pressure gauges, pressure transmitters and other special instruments, whichever the piping disposition.

Characteristics

- Threaded bonnet, with back seat.
- Packing below the stem thread in object to protect it from the flow area.
- Replaceable seat in the carbon steel version.
- Male or female process connection.
- Bleed plug option with blow out proof stem design.
- Available with 2 or 3 outlets.



The standard model has two outlets at 90 degrees. There is also a three outlets model. This models allow simultaneous calibration gauges installment, use of a purge valve or bleed plug (as the photo show), a sample line connection, etc.



Specifications

Maximun temperature

PTFE packing	500 °F
Graphoil packing	930 °F

Maximun working pressure @70°F

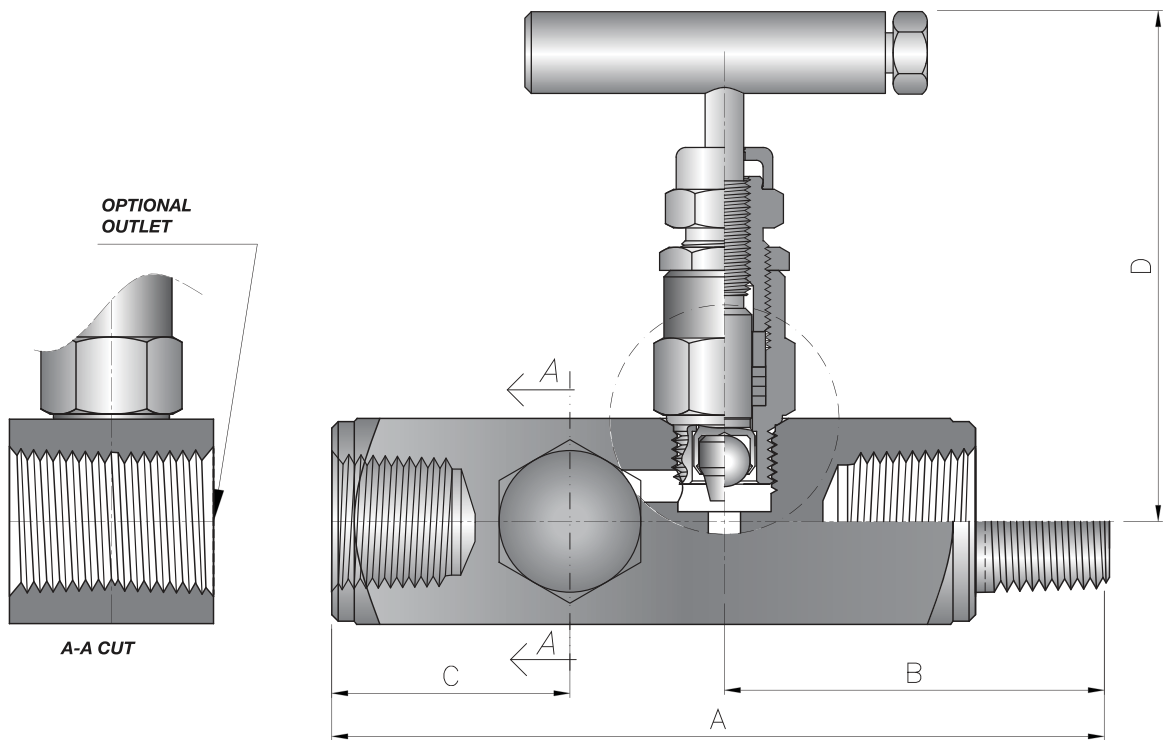
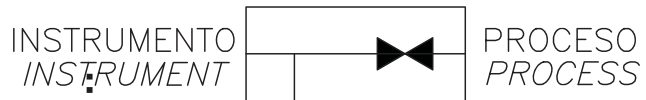
6000 psi

Standard materials

Version	Body & bonnet	Stem	Stem tip	Seat	Packing
Carbon steel	Carbon steel	AISI 420	AISI 420 ball	AISI 420 (removable)	PTFE/Graphoil
Stainless steel	AISI 316	AISI 316	AISI 316 conic tip	integral	PTFE/Graphoil
NACE standard	AISI 316	AISI 316	Monel	integral	PTFE/Graphoil

Ordering information

Model	VA3 50	C G-	Options
Connections (see dimensions table)			PC : Strapping option 3S : three outlets TP/TPM : bleed plug SG : for sour gas
Material	C : Carbon steel I : Stainless steel		Packing T : PTFE G : Graphoil



Installment required measures:

Connections		Model	Dimensions [mm]			
Inlet	Outlet		A	B	C	D open
1/4 NPT F	1/4 NPT F	VA325	90	40	29	78
1/4 NPT M	1/4 NPT F	VA325M	95	47	29	78
1/2 NPT F	1/2 NPT F	VA350	100	39	35	80
1/2 NPT M	1/2 NPT F	VA350M	110	54	35	80
3/4 NPT F	1/2 NPT F	VA375	105	41	37	92
3/4 NPT M	1/2 NPT F	VA375M	120	54	37	80

Other types of threads on demand.