

VA1 Block needle valve

Rugged shut-off valves for general applications in instrumentation and small process lines that combine a leak-proof needle configuration with a large flow capacity.

Characteristics

- Threaded bonnet, without seal washer.
- Back seated stem to avoid blow out risk.
- Straight handle for more comfortable operation.
- Available in carbon steel and stainless steel AISI 316.
- Designed for ON/OFF operation.



Specifications

Maximum working pressure @ 70°F:

Standard	6000 PSI
Optional	10000 PSI

Maximum temperatures:

PTFE packing	500 °F
Graphoil packing	940 °F
V4 tip	280 °F

Flow capacity:

Orifice [mm]	Maximum CV Coefficient
5	0.45
8	1.20
11	2.20

Standard materials (*):

Version	Body & Bonnet	Stem	Seat	Packing
Carbon steel	Carbon steel	AISI 420	integral	PTFE/Graphoil
Stainless steel	AISI 316	AISI 316	integral	PTFE/Graphoil

(* other materials on demand.

Ordering information

VA1 75 C G -

Model

Connections

(see dimensions table)

Angle configuration option

Add letter **A**

Options

- HS:** MWP 10.000 PSI
- PC:** Strapping option
- OX:** Oxygen applications
- SG:** For sour gas
- V1:** non rotating point
- V4:** soft tip stem

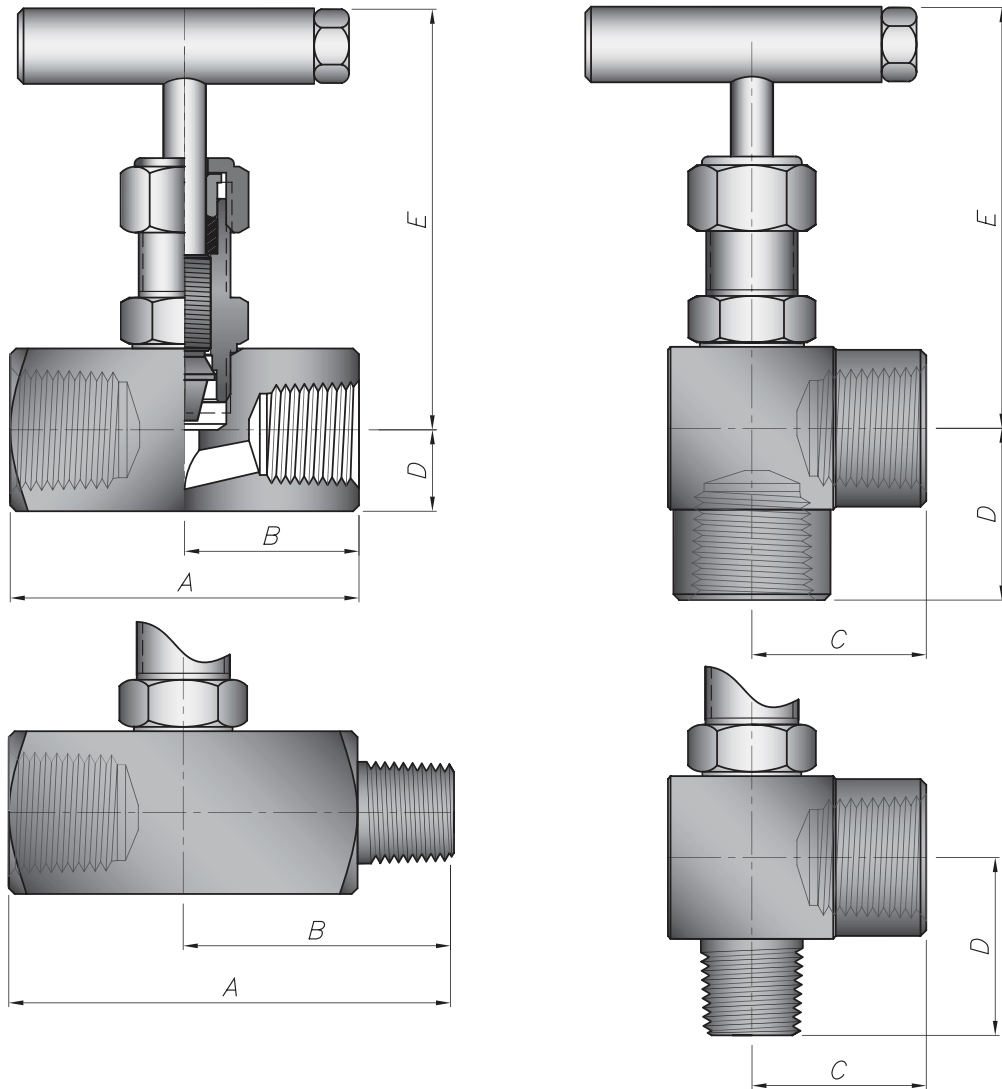
Packing

- T:** PTFE
- G:** Graphoil

Material

- C:** Carbon steel
- I:** Stainless steel

Installment required measures



Connections		Model	P max.		Orifice [mm]	Dimensions [mm]						
Inlet	Outlet		Bar	Psi		Straight			Angle			
					A	B	C	D	E open	D	E open	
1/4 F	1/4 F	VA125	414	6000	5	60	30	32	13	72	32	71
1/4 M	1/4 F	VA125M	414	6000	5	78	48	32	13	72	32	71
1/4 F	1/4 F	VA125 -HS	690	10000	5	68	34	-	16	72	-	-
1/4 M	1/4 F	VA125M -HS	690	10000	5	92	58	39	16	72	34	79
3/8 F	3/8 F	VA138	414	6000	5	60	30	32	14	73	32	71
3/8 M	3/8 F	VA138M	414	6000	5	77	46	32	14	73	32	71
3/8 F	3/8 F	VA138 -HS	690	10000	5	85	49	-	19	75	-	-
3/8 M	3/8 F	VA138M -HS	690	10000	5	95	55	32	19	75	34	79
1/2 F	1/2 F	VA150	414	6000	8	74	37	41	16	88	39	92
1/2 M	1/2 F	VA150M	414	6000	8	93	58	41	16	88	39	92
1/2 F	1/2 F	VA150 -HS	690	10000	5	72	36	-	19	75	-	-
1/2 M	1/2 F	VA150M -HS	690	10000	5	95	59	39	19	75	45	84
3/4 F	3/4 F	VA175	414	6000	11	95	47	43	26	123	45	122
3/4 M	3/4 F	VA175M	414	6000	11	115	67	43	26	123	45	122