

Accessories

SM/SM1/SM2/SM1-C Manifold Brackets

The transmitter installation through integral manifolds can be optimized using **ABAC** brackets

These brackets fit any 2" pipestand, either horizontal or vertical

With this accessory ,the **flanged manifold** is supported instead of mounting the instrument;it gives the following advantages:

- It eliminates the risk of damages in the transmitter during the mounting, since at that moment you only install the manifold.
- It allows the piping construction without having the instruments.
- It reduces maintenance costs allowing a quick disconnection of the instrument.
- It can be used in manifolds with bottom purge ports.

With this accessory the threaded manifold remains firmly supported, avoiding in this way the fixing through the threaded input and output connections.

Technical Information

Components	Material (*)
Support plate	Carbon steel
3/8" "U" bolts for 2" pipestand with washers and nuts	Carbon steel
Mounting screws	Alloy steel

(*) available in stainless steel, on request



SM Model



SM1 Model

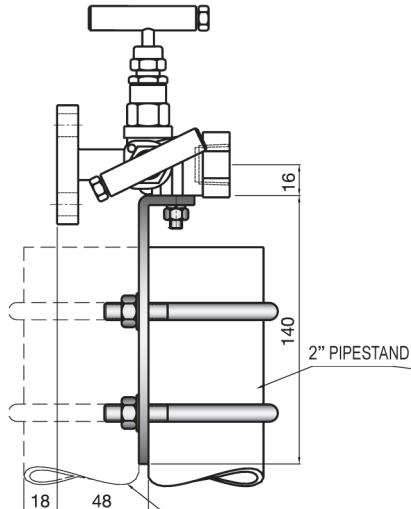
Several support models are available according to the type of manifold and its orientation

	MPB	M1	M5	M6	M4	M4R	M5B	M5BR	M6B	M6BR	MCP
SM	X				X	X	X	X	X	X	
SM1		X		X		X(*)		X(*)		X(*)	
SM2			X								
SM1-C											X

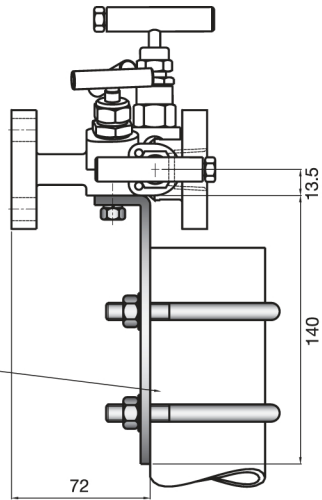
(*) Flanged vertical mounting

Mounting Measures

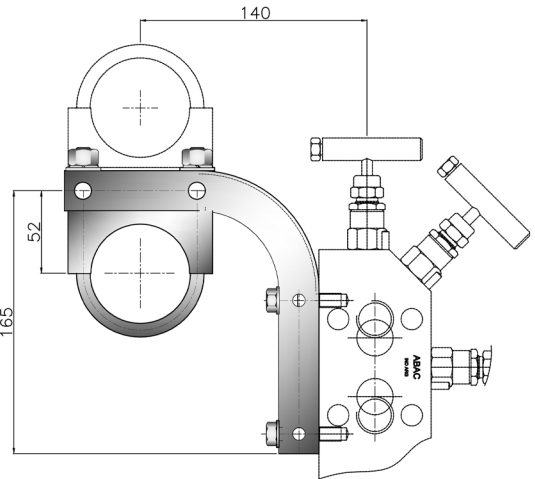
**MPB/M4/M4R
SM Support**



**M5B/M5BR/M6B/M6BR
SM Support**

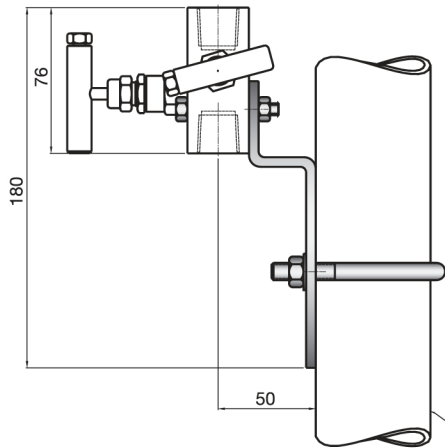


**MCP 2/3/5
SM1-C Support**

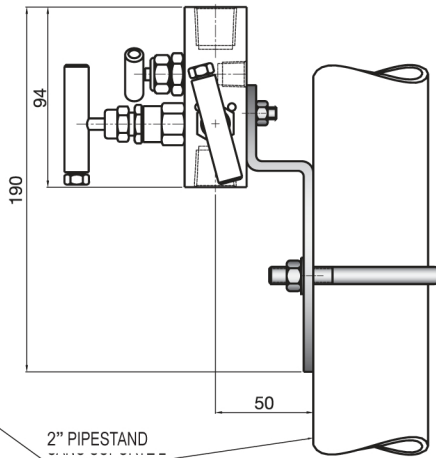


Recommended mounting for manifolds with bottom purge ports

**M1/M6
SM1 Support**



**M5
SM2 Support**



**M4R/M5BR/M6BR
SM1 Support (vertical mounting)**

