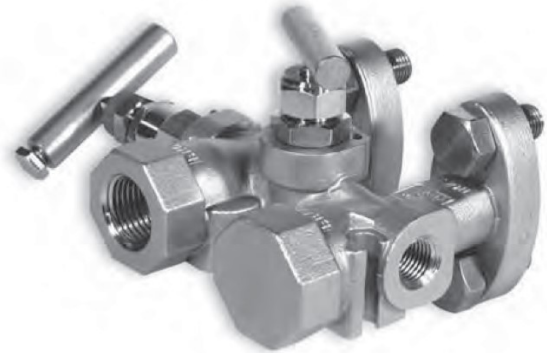


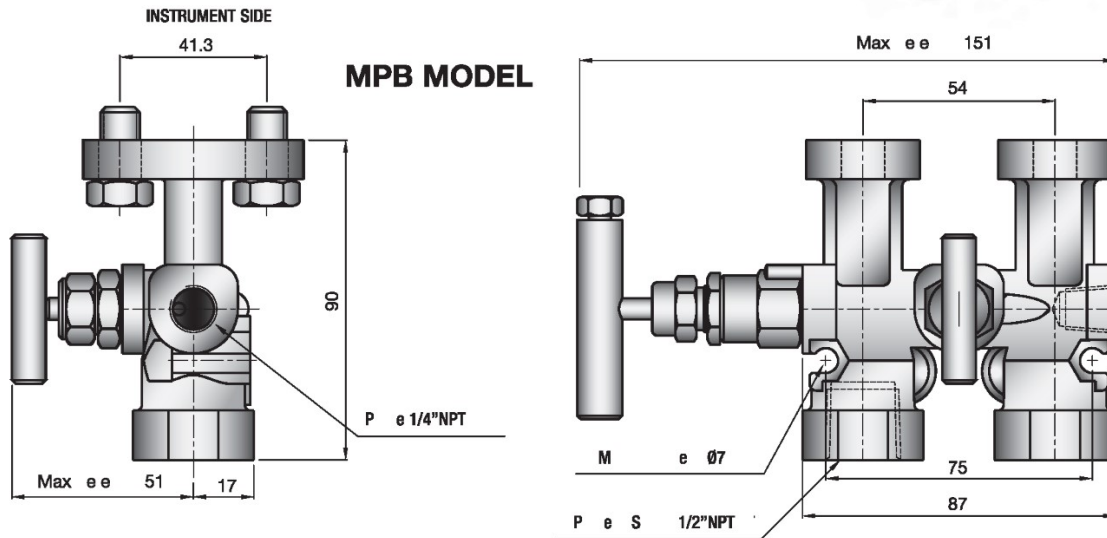
# MPB 2-valve Manifold for Flanged Instruments

The **MPB** is used in the d/p cell style static pressure transmitter mounting. In this flanged version, the instrument is fixed to one of the manifold faces by means of bolts, while on the process side there is a 1/2" NPT threaded connection.

It accepts the use of the SM bracket to be mounted on a 2" pipe (see page N° 12)



## Mounting Measurements



## Ordering Information

		<b>MPB</b>	- <b>C</b>	<b>G</b>	-			
<b>Model</b>						<b>Options (see page 3)</b>		
<b>Seat:</b>						<b>Packing</b>		
Empty	:	Integral. Metal seat.				T: PTFE		
AD	:	Acetal					G: Graphoil	
AE	:	Peek					V: Fluorelastomer	
							<b>Material</b>	
							C: Carbon steel	
							I: Stainless steel	