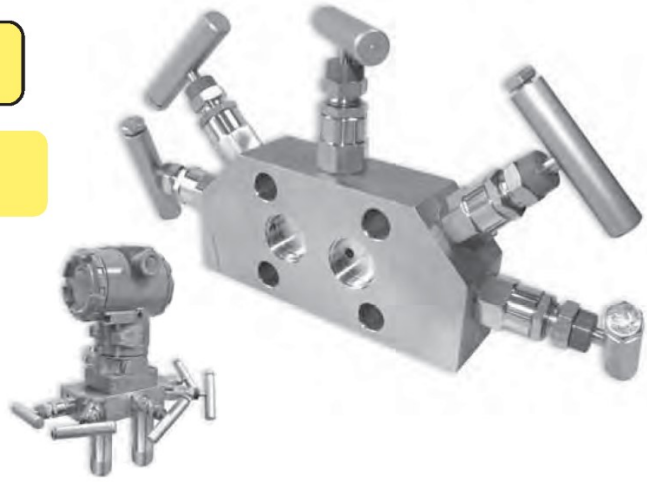


Special Manifolds

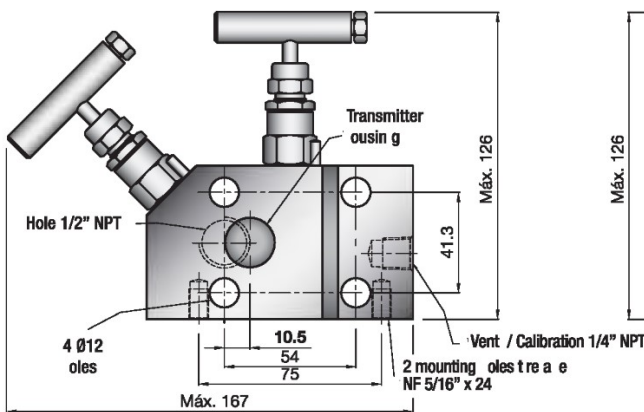
MCP Flat Manifolds

They are compact manifolds, specially adapted for mounting transmitter with cameras on the same plane, like Coplanar™ or similar. The instrument is fixed directly on the manifold flanged face by means of 4 bolts. The connection to process is 1/2" NPT threaded. They are made of AISI 316 stainless steel and they are available in two, three and five valve versions.

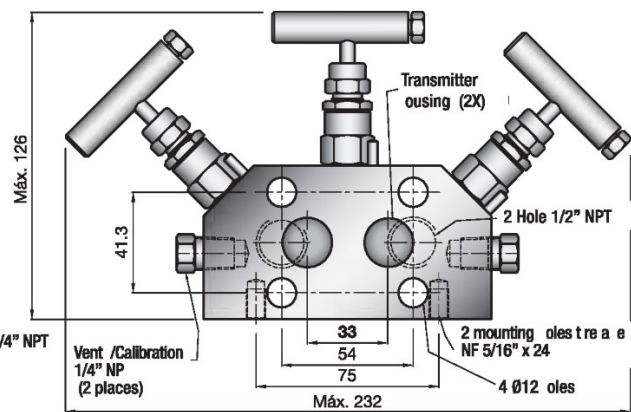


Mounting measures

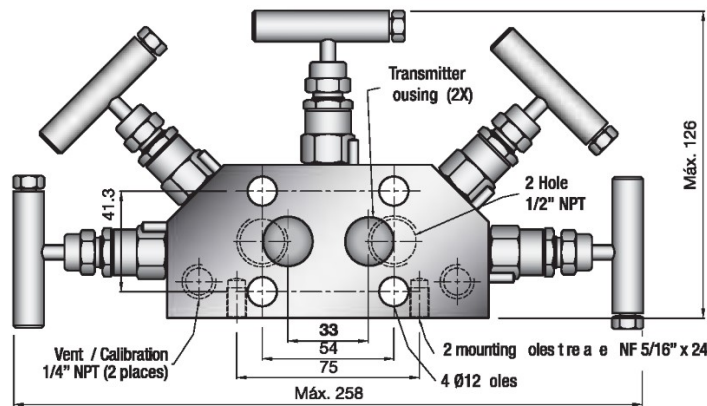
TWO VALVES



THREE VALVES



FIVE VALVES



Ordering Information

MCP 3 - I T -

Model _____ Options (see page 3)

Valves _____ Packing _____

2 : 2 valves
3 : 3 valves
5 : 5 valves

T: PTFE
G: Graphoil
V: Fluorelastomer

Seat _____ Material _____

Empty : Integral. Metal Seat.
AD : Acetal
AE : Peek

I: Stainless Steel