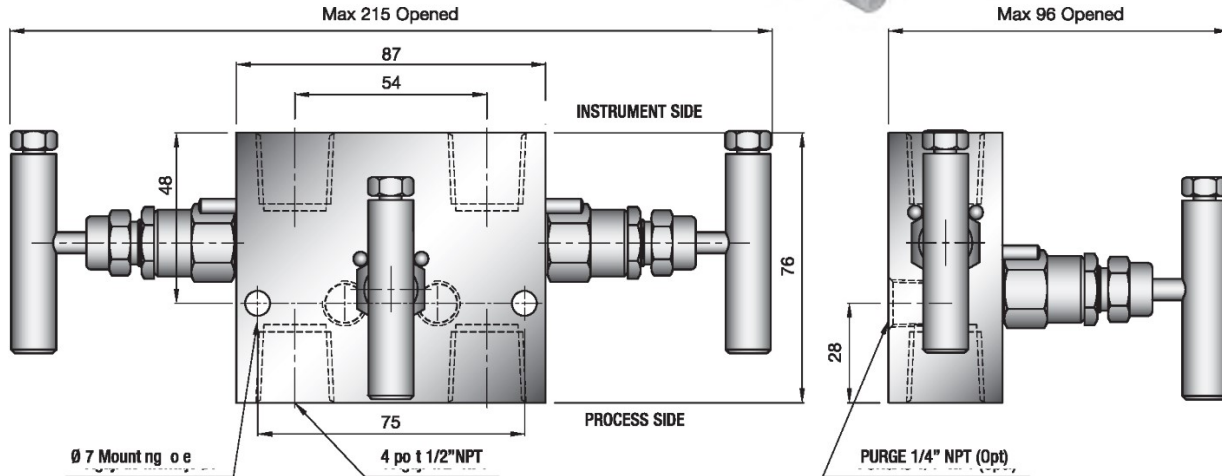


M1 3 valve Manifold.Threaded Connections

General application manifold. Its threaded 1/2" NPT connections to process and instrument allow its installation in any convenient point between the process and the transmitter or gauge.



Mounting measures



Ordering Information

M1 - P - C G -

Model

Other options (see page. 3)

Connections

Empty : 1/2NPT Standard
 25 : 1/4 NPT

Packing

T: PTFE
 G: Graphoil
 V: Fluorelastomer

Seat

Empty : Integral. Metal Seat.
 AD : Acetal
 AE : Peek | ot eat.

Optional purgue ports

Intercalate letter P.

Material

C: Carbon steel
 I: Stainless steel