

C400

SCREWED FITTINGS



ABAC SRL

www.abac.com.ar

Reliable solutions for high requirement applications

Content

	page
General information	2
Coupling	3
Reducing bushings	3
Reducing adapter	3
Adapters	4
Nipples	4
Hex nipples	4
Hex reducing nipple	5
Elbows	5
Tees	6
Plugs	6
Dielectric coupler	7

General Information

Materials (*)

Type	Variety	Standards
St. steel AISI 316	Bars	ASTM A276
	Forgings	ASTM A182
Carbon steel	Bars	SAE1040
	Forgings	ASTM A105

(*) Silver zinc plated treatment, thickness 10/12 microns, in carbón steel accesories

Allowable working pressure

See individual values for each accesories.

(*) For higher pressures, appeal the H200 catalog or consult our technical department

Threads connections

Type	Standard	Sealing
Tapered NPT	ANSI B 1.20.1	On the flanks of the thread. A PTFE tape or thread sealant should always be used
Cylindrical BSPP	ISO 228/1	It should be done by sealing washers, since there are no seals on the flank of the threads.

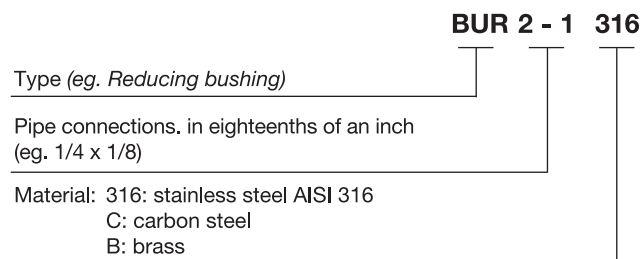
The permissible pressures indicated here correspond to a usage at room temperature and under normal operating conditions (safety factor 4 or 5).

In case of employing higher temperatures or more demanding overpressure conditions and vibrations, a factor that decreases said maximum pressure should be applied.

Consult with our Technical Department.

How to Order

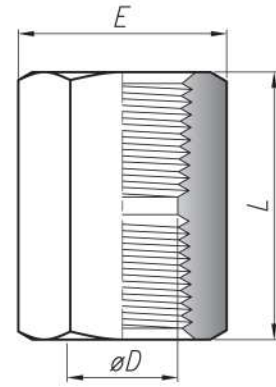
The **ABAC** numbering system allows identifying easily, the fitting type, threading size and material.



Caution: All the data contained in this publication offer options on products and/or systems to give more information to high technical experienced users. Due to the different operative conditions and to the applications of these products, it will be the designer's and/or user's responsibility to choose the appropriate models for its specific use as well as to ensure a correct mounting, operation and maintenance process.

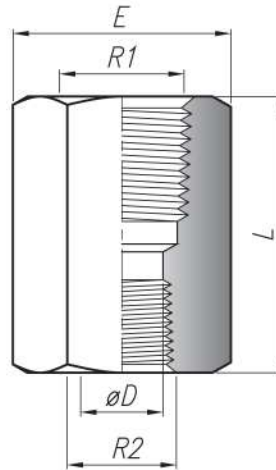
CUP Coupling

Model	NPT thread	MEASURES (mm)			P max. (psi)
		L	E	ØD	
CUP-1-	1/8"	21	14.3	8.5	7150
CUP-2-	1/4"	30	19.05	11.2	7150
CUP-3-	3/8"	32	22.2	14	5390
CUP-4-	1/2"	40	27.0	18	4800
CUP-6-	3/4"	45	38.1	23	4210
CUP-8-	1"	51	44.4	28	4310



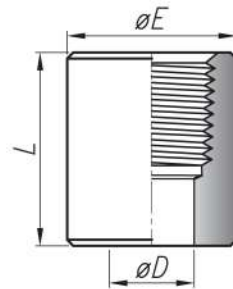
CUR Reducing Coupling

Model	NPT thread		MEASURES (mm)			P max. (psi)
	R1	R2	L	E	ØD	
CUR-3-2-	3/8"	1/4"	32	22.2	11.5	5390
CUR-4-2-	1/2"	1/4"	37	27	11.5	4806
CUR-4-3-	1/2"	3/8"	37	27	14	4806
CUR-6-2-	3/4"	1/4"	40	34.9	11.5	4210
CUR-6-3-	3/4"	3/8"	40	34.9	14	4210
CUR-6-4-	3/4"	1/2"	45	34.9	18	4210
CUR-8-6-	1"	3/4"	55	44.4	23	4310



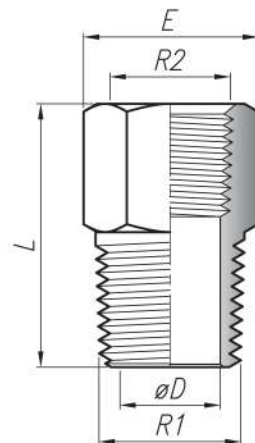
MCU 1/2 Coupling ANSI B16.11 S.3000

Model	NPT thread	MEASURES (mm)			P max. (psi)
		L	ØE	ØD	
MCU 2-	1/4"	17.4	19.1	10.5	3000
MCU 3-	3/8"	19.1	22.2	14	3000
MCU 4-	1/2"	23.8	28.6	17.25	3000
MCU 6-	3/4"	25.4	34.9	22.25	3000



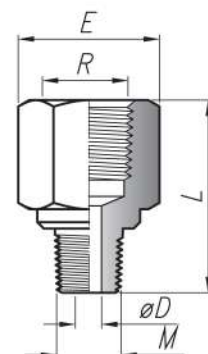
BUR Reducing Bushing

Model	NPT thread		MEASURES (mm)			P max. (psi)
	R1	R2	L	E	ØD	
BUR-2-1-	1/4"	1/8"	25	14.3	7	7150
BUR-3-2-	3/8"	1/4"	32	19.1	10	7150
BUR-4-2-	1/2"	1/4"	28	22.2	11.5	7150
BUR-4-3-	1/2"	3/8"	35	22.2	12	5390
BUR-6-2-	3/4"	1/4"	31	27	11.5	7150
BUR-6-3-	3/4"	3/8"	38	27	11.5	5400
BUR-6-4-	3/4"	1/2"	43	27	16.5	4806
BUR-8-4-	1"	1/2"	40	35	17.5	4806
BUR-8-6-	1"	3/4"	47	35	22	4310



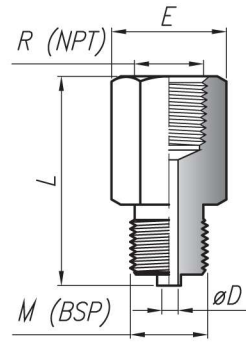
ADR Reducing Adapter

Model	NPT thread		MEASURES (mm)			P max. (psi)
	R	M	E	L	ØD	
ADR-2-1-	1/4"	1/8"	19	30	4	7150
ADR-4-2-	1/2"	1/4"	27	45	7	4806
ADR-4-3-	1/2"	3/8"	27	45	9.5	4806
ADR-6-4-	3/4"	1/2"	34.9	50	12	4210



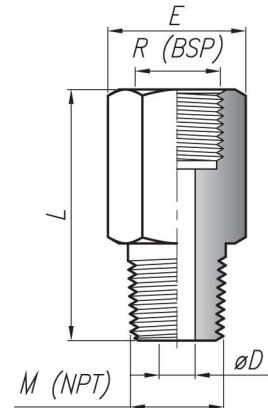
ADN NPTF-BSPM Adapter

Model	Thread		MEASURES (mm)			P max (psi)
	R	M	E	L	ØD	
ADN-2-1-	1/4"	1/8"	19.05	30	3.5	4480
ADN-2-2-	1/4"	1/4"	19.05	35	3.5	4480
ADN-2-3-	1/4"	3/8"	19.05	37	3.5	4480
ADN-3-3-	3/8"	3/8"	22.2	40	3.5	4480
ADN-4-4-	1/2"	1/2"	27	48	3.5	2270



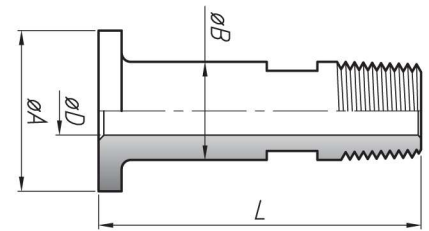
ADB BSPF-NPTM Adapter

Model	Thread		MEASURES (mm)			P max (psi)
	R	M	E	L	ØD	
ADB-2-1-	1/4"	1/8"	19.05	30	3.5	4570
ADB-2-2-	1/4"	1/4"	19.05	35	3.5	4570
ADB-2-3-	1/4"	3/8"	19.05	37	3.5	4570
ADB-2-4-	1/4"	1/2"	22.2	37	3.5	4570
ADB-3-2-	3/8"	1/4"	22.2	34	5	4570
ADB-3-3-	3/8"	3/8"	22.2	34	5	4570



ALR Lap-Joint to Thread Adapter

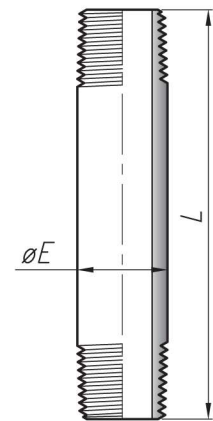
Model	NPT thread	Flange Size (")	MEASURES (mm)				P max (psi)
			L	ØA	ØB	ØD	
ALR-4-4-	1/2"	1/2"	70	34.9	21.3	10.5	2940
ALR-4-6-	1/2"	3/4"	73	42.9	26.9	10.5	2940



(*) For use with ANSI #150 and #300 lap joint pipe flanges. Smooth finish sealing surface

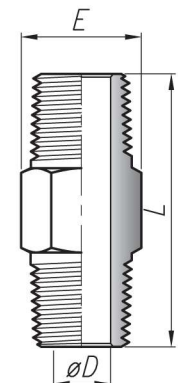
NIP Nipple

Model	NPT thread	MEASURES (mm)		P max (psi)
		L	ØE	
NIP-2-07-	1/4"	75	13.7	6000
NIP-2-10-	1/4"	100	13.7	6000
NIP-2-15-	1/4"	150	13.7	6000
NIP-4-07-	1/2"	75	21.3	6000
NIP-4-10-	1/2"	100	21.3	6000
NIP-4-15-	1/2"	150	21.3	6000
NIP-4-20-	1/2"	200	21.3	6000



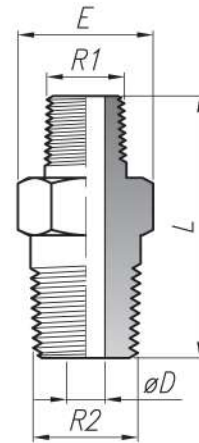
ENT Hex Nipple

Model	NPT thread	MEASURES (mm)			P max (psi)
		L	E	ØD	
ENT-1-	1/8"	30	11.1	5	12060
ENT-2-	1/4"	40	14.3	7	9710
ENT-3-	3/8"	40	17.4	10	8830
ENT-4-	1/2"	50	22.2	12	8730
ENT-6-	3/4"	55	27	16	8130
ENT-8-	1"	62	34.9	23	5790



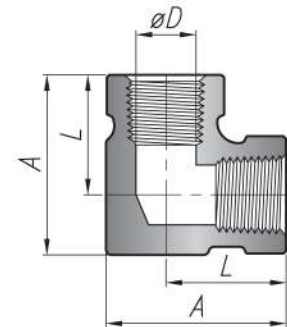
ENR Hex Reducing Nipple

Model	NPT thread		MEASURES (mm)			P max (psi)
	R1	R2	E	L	ØD	
ENR-2-1-	1/4"	1/8"	14.3	32	4.8	9710
ENR-3-2-	3/8"	1/4"	17.4	40	7	8830
ENR-4-2-	1/2"	1/4"	22.2	43	7	8730
ENR-4-3-	1/2"	3/8"	22.2	43	7	8730
ENR-6-2-	3/4"	1/4"	27	46	7	8130
ENR-6-4-	3/4"	1/2"	27	49	11	8130
ENR-8-4-	1"	1/2"	35	55	11	5790
ENR-8-6-	1"	3/4"	35	57	16.5	5790



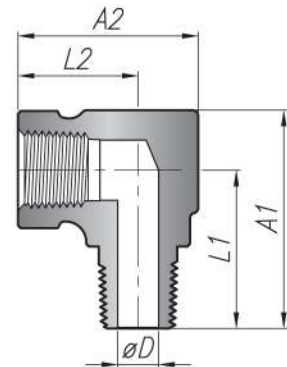
CHH Female Elbow

Model	NPT thread	MEASURES (mm)			P max (psi)
		A	L	ØD	
CHH-1-	1/8"	26.3	19	8.5	5590
CHH-2-	1/4"	31.8	22	11	5290
CHH-3-	3/8"	35.3	25.5	14	5190
CHH-4-	1/2"	44	29	17	4500



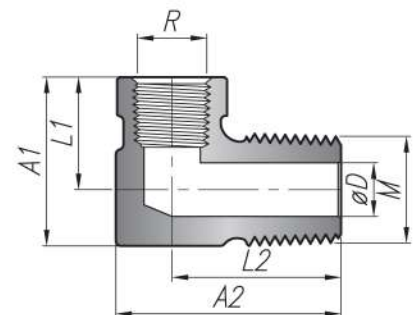
CMH Male-Female Elbow

Model	NPT thread	MEASURES (mm)					P max (psi)
		A1	A2	L1	L2	ØD	
CMH-1-	1/8"	26.3	26.3	19	20	5	5590
CMH-2-	1/4"	38.8	31.8	29	22	7	5290
CMH-3-	3/8"	37.3	35.3	27.5	25.5	10.5	5190
CMH-4-	1/2"	55	44	40	29	12	4500



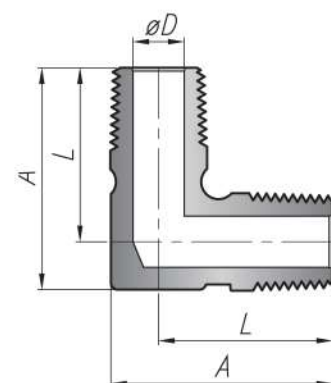
COR Reducing Elbow

Model	NPT thread		MEASURES (mm)					P max (psi)
	M	R	A1	A2	L1	L2	ØD	
COR-3-2-	3/8"	1/4"	32	38	22	28	10	5290
COR-4-2-	1/2"	1/4"	32	43	22	33	10.5	5290



CMM Male Elbow

Model	NPT thread	MEASURES (mm)			P max (psi)
		A	L	ØD	
CMM-1-	1/8"	26.3	19	4.75	9510
CMM-2-	1/4"	32.8	25.5	7	7650
CMM-3-	3/8"	37.3	27.5	7.5	7350
CMM-4-	1/2"	44	33	10.5	7250



THH Female Tee

Model	NPT thread	MEASURES (mm)				P max (psi)
		A	B	C	ØD	
THH-1-	1/8"	47	34.5	23.5	8	5590
THH-2-	1/4"	51	36.5	25.5	11.25	5290
THH-3-	3/8"	60	45	34.5	14	5190
THH-4-	1/2"	76	54	38	17.5	4500
THH-6-	3/4"	63	57	38	23	5000

NOTE: The THH-6- model is not forged steel.

TML Male Run Tee

Model	NPT thread			MEASURES (mm)				P max (psi)
	R1	R2	M	A	B	C	ØD	
TML-2-	1/4"	1/4"	1/4"	63	44.5	34	7	5290

TMC Male Branch Tee

Model	NPT thread			MEASURES (mm)				P max (psi)
	R1	R2	M	A	B	C	ØD	
TMC-2-	1/4"	1/4"	1/4"	63	44.5	34	7.5	5290

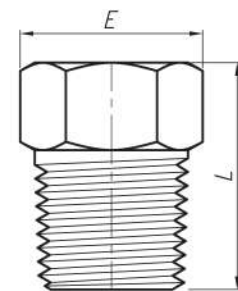
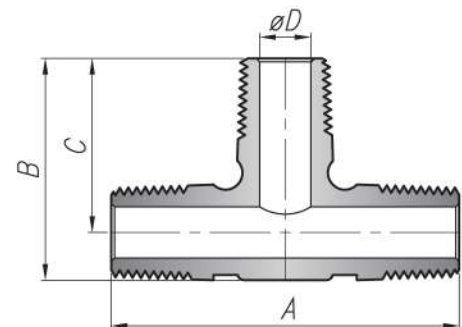
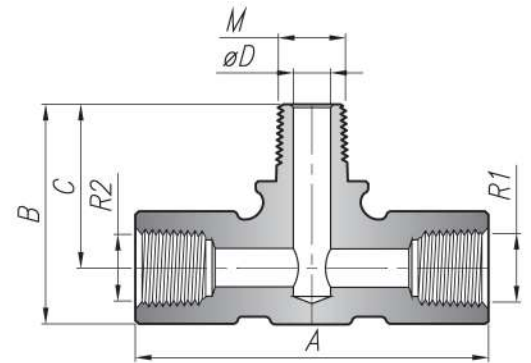
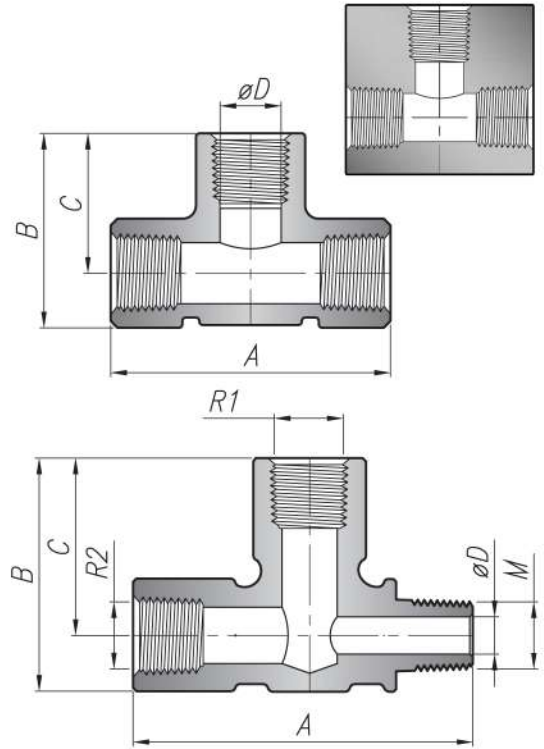
TMM Male Tee

Model	NPT thread	MEASURES (mm)				P max (psi)
		A	B	C	ØD	
TMM-1-	1/8"	48	30	23	5	9500
TMM-2-	1/4"	51	32.5	25.5	7.5	7650
TMM-3-	3/8"	61	42.5	32	7.5	7350
TMM-4-	1/2"	65	45	34	10.5	7250
TMM-6-	3/4"	80	56	40	16	6770

TAP Plug

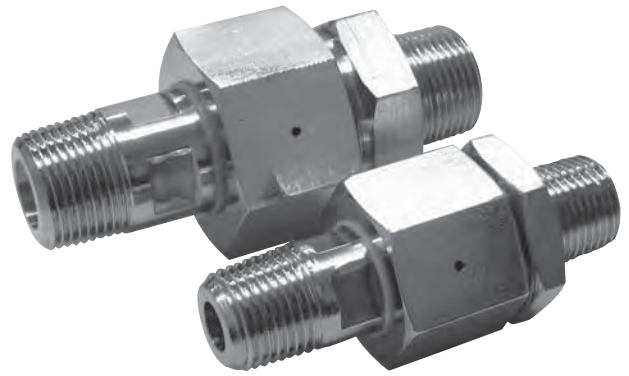
Model	NPT thread	MEASURES (mm)		P max (psi)
		L	E	
TAP-1-	1/8"	16	11.1	15000
TAP-2-	1/4"	22	14.3	15000
TAP-3-	3/8"	22	17.5	15000
TAP-4-	1/2"	28	22.2	15000
TAP-6-	3/4"	32	27	10000
TAP-8-	1"	38	34.9	10000

THH-6-



ACD Dielectric Coupler

Accessory designed to isolated electrical currents in metal pipes, while offering a large flow rate and resistence to high pressures. In industrial plants it is desirable to protect measuring and control instruments, isolating them from electrical currents generates by application of cathodic protection, statics current, etc. The device is specially design for use in GNC facilities, installed between the compressor and the storage, transport units and dispensers.



Specifications

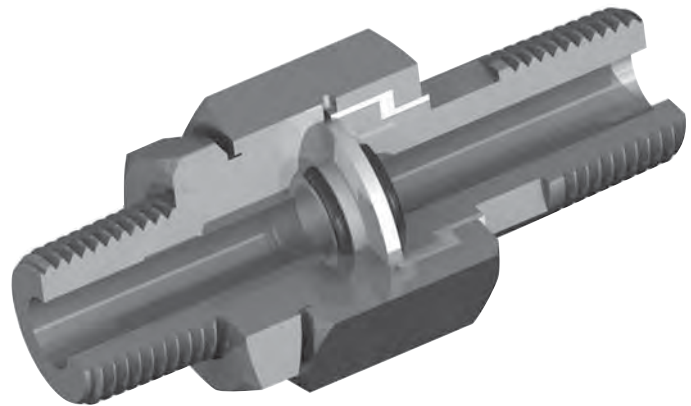
Standard materials

Extremes	AISI 316
Nut	AISI 316
Insulating flange	Acetal
Seals	Buna

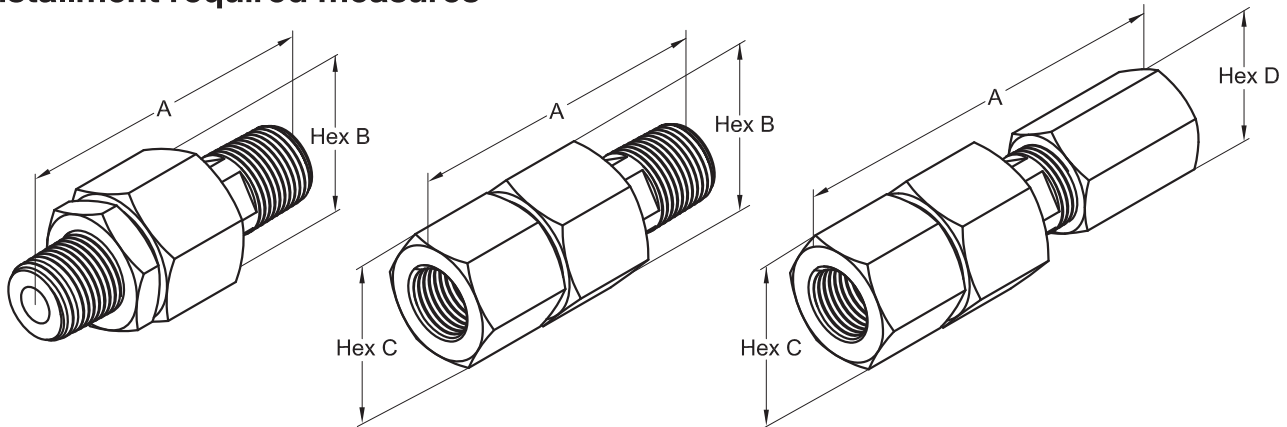
Rating

Maximum working pressure	(*)
Temperature range	100°C
Ohmic resistance	(50% HRA) $1 \times 10^9 \Omega$
Dielectric strenght	(50% HRA) 2.3 KV


(*) see dimensions for assembly.



Installment required measures



Model	End connections	MEASURESES (mm)					CV	Operating pressure @ 70°F (psi)
		A	B	C	D	Orifice		
ACD 50 MM-I	1/2" MM NPT	88	34.9	31.7	-	10	12	5000
ACD 50 MH-I	1/2" MF NPT	88	34.9	31.7	-	10	12	5000
ACD 50 HH-I	1/2" FF NPT	114	34.9	31.7	27	10	12	4900
ACD 75 MM-I	3/4" MM NPT	103	44.4	38.1	-	15	24	5000
ACD 75 MH-I	3/4" MH NPT	103	44.4	38.1	-	15	24	5000
ACD 75 HH-I	3/4" FF NPT	134	44.4	38.1	34.9	15	24	4300
ACD 80 MM-I	1" MM NPT	130	50.8	44.4	-	22	50	5000
ACD 80 MH-I	1" MF NPT	130	50.8	44.4	-	22	50	5000
ACD 80 HH-I	1" FF NPT	164	50.8	44.4	44.4	22	50	4400

 *The widest variety of pressure, flow and fluid control components:*

- *Needle valves*
- *Instrument manifolds*
- *Fluid control components*
- *Ball valves*
- *Tube and pipe fittings*
- *Thermic insulation systems*
- *High pressure components and units*



• *For more information about these products please contact us, visit our web site or call to our Sales & Service authorized Reps.*

Parque PITAM - Av. Figueroa Alcorta 500
B1712HZK Castelar - Bs. As. - Argentina
Tel./Fax: (54-11) 4659-4146 // 4460-0052
ventas@abac.com.ar - www.abac.com.ar

ABAC SRL

C400-03/23