

Condensation and sealing pots

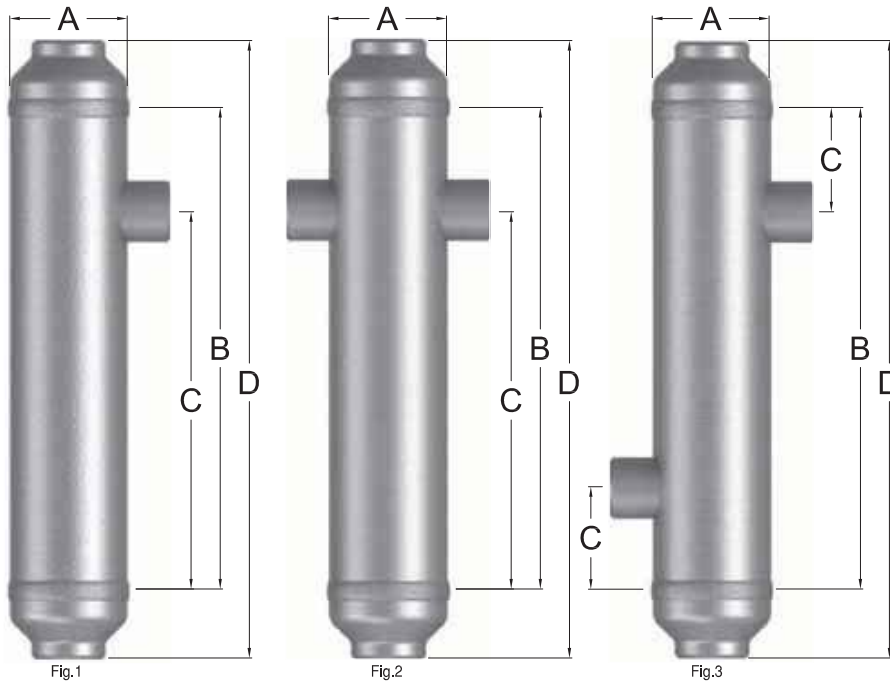
Condensate and sealing cylinders Available in carbon and stainless steel AISI 316.
 Standard sizes 2" and 3" NPS, in Schedule 40 and 80, 1/2" NPT connections.
 Under order, it would be supplied in other dimensions, connections or materials.

Technical data

- Materials in accordance with ASME standards
- Threads NPT compliance with ANSI B1.20.1
- All specimens are tested at 1.5 times each Max Working Pressure
- Operating Pressure until 3000 psi
- Welding RX optional



Installment required dimensions



Type	Fig	Nominal size	Standard Dimensions [mm]			
			A	B	C	D
Condensate 3 outlets	1	2"	60.3	250	196	322
		3"	88.0	250	196	350
Condensate 4 outlets	2	2"	60.3	250	196	322
		3"	88.0	250	196	350
Sealing	3	2"	60.3	250	54	322
		3"	88.0	250	54	350