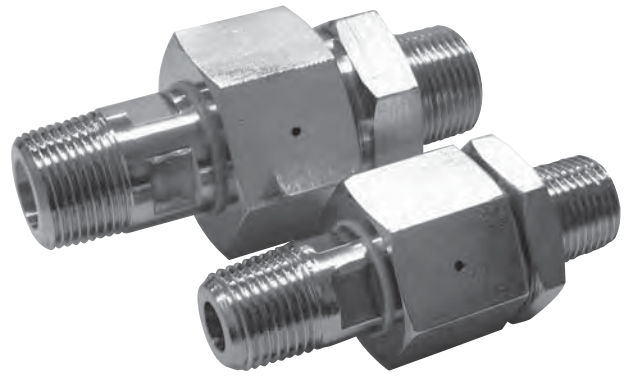


# ACD Dielectric Coupler

Accessory designed to isolated electrical currents in metal pipes, while offering a large flow rate and resistence to high pressures. In industrial plants it is desirable to protect measuring and control instruments, isolating them from electrical currents generates by application of cathodic protection, statics current, etc. The device is specially design for use in GNC facilities, installed between the compressor and the storage, transport units and dispensers.



## Specifications

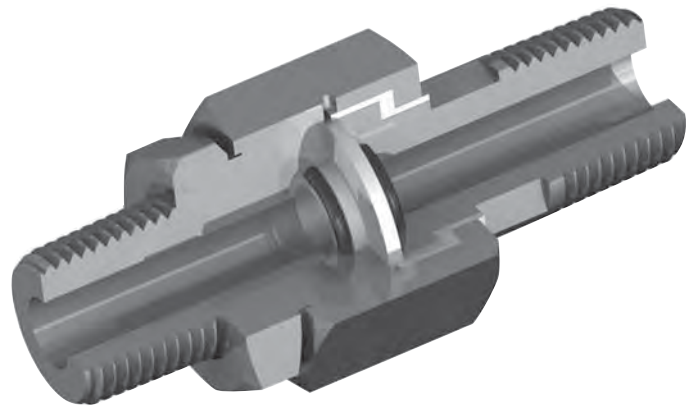
### Standard materials

Extremes	AISI 316
Nut	AISI 316
Insulating flange	Acetal
Seals	Buna

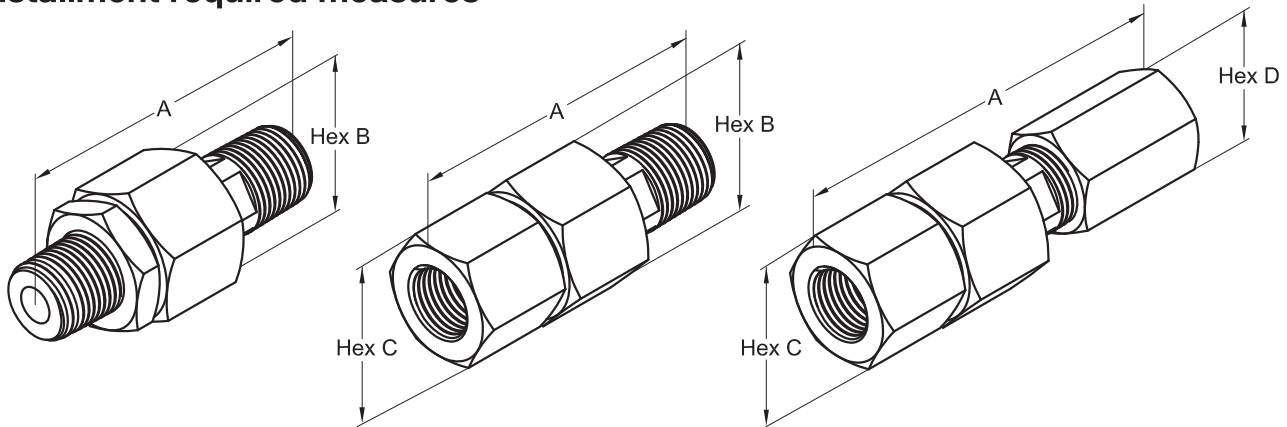
### Rating

Maximum working pressure	(*)
Temperature range	100°C
Ohmic resistance	(50% HRA) $1 \times 10^9 \Omega$
Dielectric strenght	(50% HRA) 2.3 KV

(\*) see dimensions for assembly.



## Installment required measures



Model	End connections	MEASURESES (mm)					CV	Operating pressure @ 70°F (psi)
		A	B	C	D	Orifice		
ACD 50 MM-I	1/2" MM NPT	88	34.9	31.7	-	10	12	5000
ACD 50 MH-I	1/2" MF NPT	88	34.9	31.7	-	10	12	5000
ACD 50 HH-I	1/2" FF NPT	114	34.9	31.7	27	10	12	4900
ACD 75 MM-I	3/4" MM NPT	103	44.4	38.1	-	15	24	5000
ACD 75 MH-I	3/4" MH NPT	103	44.4	38.1	-	15	24	5000
ACD 75 HH-I	3/4" FF NPT	134	44.4	38.1	34.9	15	24	4300
ACD 80 MM-I	1" MM NPT	130	50.8	44.4	-	22	50	5000
ACD 80 MH-I	1" MF NPT	130	50.8	44.4	-	22	50	5000
ACD 80 HH-I	1" FF NPT	164	50.8	44.4	44.4	22	50	4400