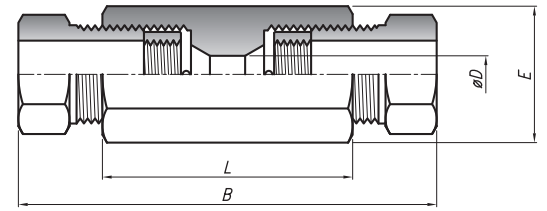


# MEDIA PRESIÓN ROSCA CILÍNDRICA MU 1.550 bar/22.500 psi

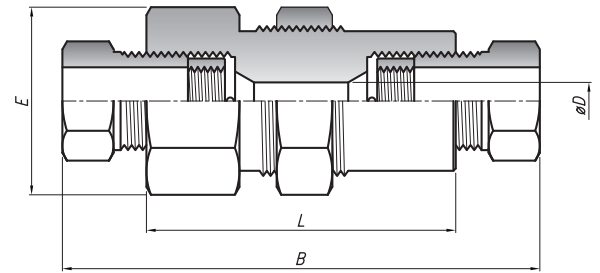
## CUPM Cupla MU

Modelo	Conexión MU H	DIMENSIONES (mm)			
		L	E	ØD	B
CUPM-2-0-316	1/4"	38	19	3.25	58.48
CUPM-3-0-316	3/8"	44	22.2	5.5	65.2
CUPM-5-0-316	9/16"	54	25.4	8	85.8
CUPM-6-0-316	3/4"	63.5	38.1	13	101



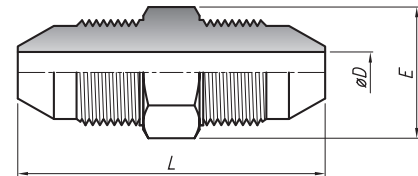
## CPPM Cupla Pasachapa MU

Modelo	Conexión MU H	DIMENSIONES (mm)			
		L	E	ØD	B
CPPM-2-0-316	1/4"	47.5	25.4	3.25	67.98
CPPM-3-0-316	3/8"	55	25.4	5.5	76.2
CPPM-5-0-316	9/16"	60	34.9	8	91.8
CPPM-6-0-316	3/4"	66.5	44.4	13	104



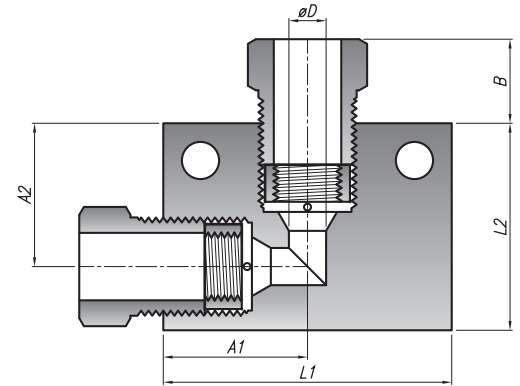
## ENTM Entrerrosca MU

Modelo	Conexión MU M	DIMENSIONES (mm)		
		L	E	ØD
ENTM-2-316	1/4"	45	12.7	2.8
ENTM-3-316	3/8"	55	15.8	5.5
ENTM-5-316	9/16"	65	22.2	8
ENTM-6-316	3/4"	75	28.5	13



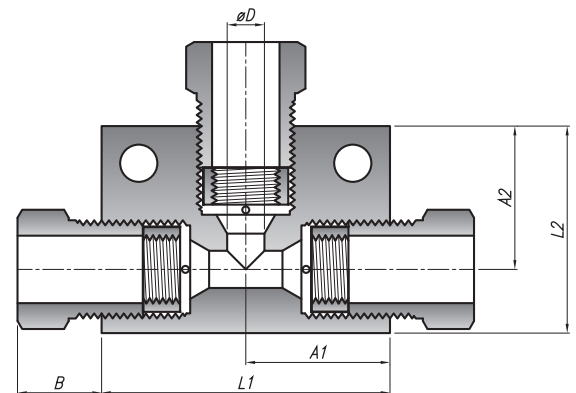
## CHHM Codo MU

Modelo	Conexión MU H	DIMENSIONES (mm)						
		L1	L2	Esp.	ØD	A1	A2	B
CHHM-2-316	1/4"	31.7	31.7	16	3.25	19.1	19.1	10.24
CHHM-3-316	3/8"	38.1	38.1	20	5.5	25.4	25.4	10.6
CHHM-5-316	9/16"	50.8	50.8	26	8	31.8	31.8	15.9
CHHM-6-316	3/4"	76.2	57.2	34.9	13	38.1	38.1	19



## THHM Tee MU

Modelo	Conexión MU H	DIMENSIONES (mm)						
		L1	L2	Esp.	ØD	A1	A2	B
THHM-2-316	1/4"	38.1	28.6	15.9	3.25	19.1	19.1	10.24
THHM-3-316	3/8"	50.8	50.8	20	5.5	25.4	31.7	10.6
THHM-5-316	9/16"	63.5	44.5	32	8	31.75	31	15.9
THHM-6-316	3/4"	76.2	57.2	34.9	13	38.1	38.1	19



## CPCM Collar + Prensa MU

Modelo	Conexión MU	E
CPCM-2	1/4"	12.7
CPCM-3	3/8"	15.8
CPCM-5	9/16"	22.2
CPCM-6	3/4"	28.5

