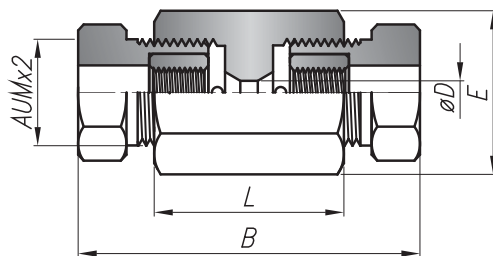


ALTA PRESIÓN ROSCA CILÍNDRICA AU 2.068 bar/30.000 psi

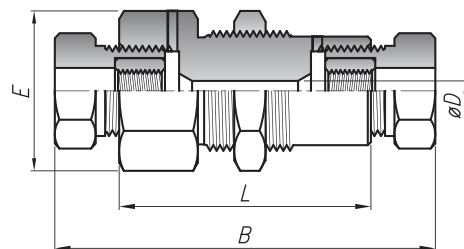
CUPH Cupla AU

Modelo	Conexión AU H	DIMENSIONES (mm)			
		L	E	ØD	B
CUPH-2	1/4"	32	22.2	2.5	59
CUPH-3	3/8"	44	27	3.2	67
CUPH-5	9/16"	51	38.1	6.35	92



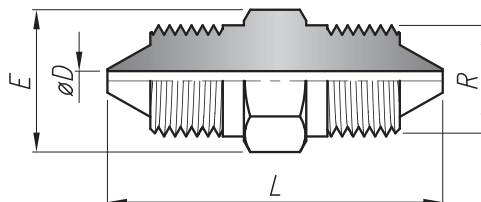
CPPH Cupla Pasachapa AU

Modelo	Conexión AU H	DIMENSIONES (mm)			
		L	E	ØD	B
CPPH-2	1/4"	48	22.2	2.50	75
CPPH-3	3/8"	55	34.9	4.75	78
CPPH-5	9/16"	55	38.1	6.35	96



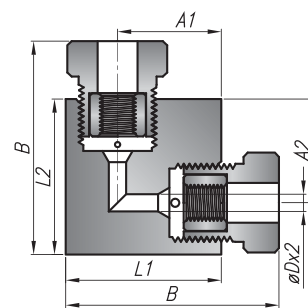
ENTH Entrerrosca AU

Modelo	Conexión AU M	DIMENSIONES (mm)		
		L	E	ØD
ENTH-2	1/4"	43	15.8	2.5
ENTH-3	3/8"	55.7	20.6	3.2
ENTH-5	9/16"	83.1	31.7	6.35



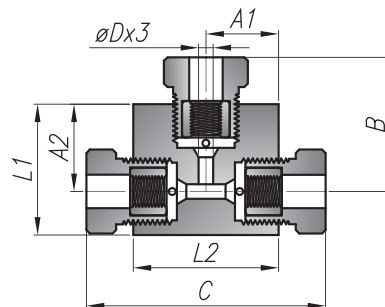
CHHH Codo AU

Modelo	Conexión AU H	DIMENSIONES (mm)						
		L1	L2	Esp.	ØD	A1	A2	B
CHHH-2	1/4"	31.7	31.7	22.2	2.5	19.0	19.0	45
CHHH-3	3/8"	50.8	50.8	30	3.2	31.7	31.7	62
CHHH-5	9/16"	57.1	57.1	38.1	6.35	38.1	38.1	77.5



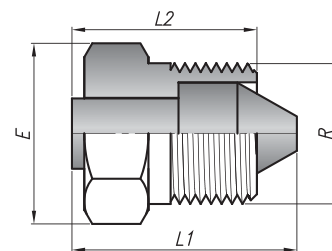
THHH Tee AU

Modelo	Conexión AU H	DIMENSIONES (mm)							
		B	L1	L2	Esp.	ØD	A1	A2	A2
THHH-2	1/4"	32.5	31.7	31.7	22	2.5	15.8	19	58.7
THHH-3	3/8"	43	50.8	50.8	30	3.2	25.4	31.7	73.5
THHH-5	9/16"	59	57.1	63.5	38.1	6.35	31.7	38.1	104.5



TAPH Tapón AU

Modelo	Conexión AU M	DIMENSIONES (mm)		
		L1	L2	E
TAPH-2	1/4"	28.6	20.6	15.8
TAPH-3	3/8"	33.3	27.7	20.6
TAPH-5	9/16"	45.6	35	31.7



CPCH Collar + Prensa AU

Modelo	Conexión AU	E
CPCH-2	1/4"	15.8
CPCH-3	3/8"	20.6
CPCH-5	9/16"	31.7

