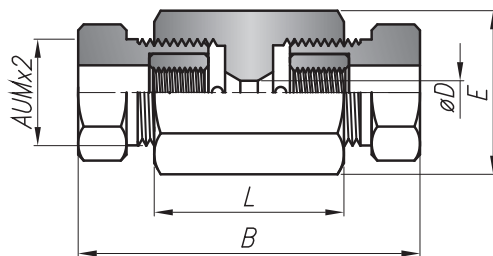


# ALTA PRESIÓN ROSCA CILÍNDRICA AU 2.068 bar/30.000 psi

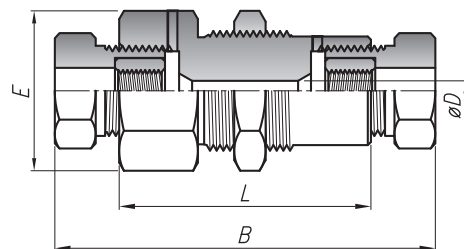
## CUPH Cupla AU

Modelo	Conexión AU H	DIMENSIONES (mm)			
		L	E	ØD	B
CUPH-2-316	1/4"	32	22.2	2.5	55.2
CUPH-3-316	3/8"	44	27	3.2	73.3
CUPH-5-316	9/16"	51	38.1	6.35	93.2



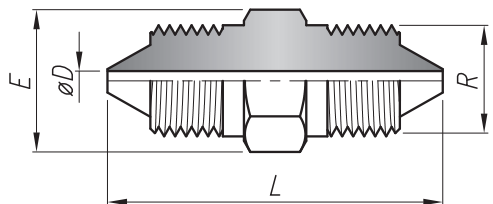
## CPPH Cupla Pasachapa AU

Modelo	Conexión AU H	DIMENSIONES (mm)			
		L	E	ØD	B
CPPH-2-0-316	1/4"	48	27	2.5	77.3
CPPH-3-0-316	3/8"	55	34.9	4.75	78
CPPH-5-0-316	9/16"	80	44	6.35	122.4



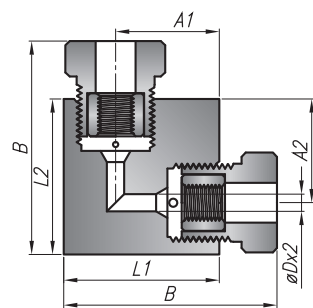
## ENTH Entrerrosca AU

Modelo	Conexión AU M	DIMENSIONES (mm)		
		L	E	ØD
ENTH-2-316	1/4"	43	15.8	2.5
ENTH-3-316	3/8"	55	22.2	3.2
ENTH-5-316	9/16"	83.1	31.7	6.35



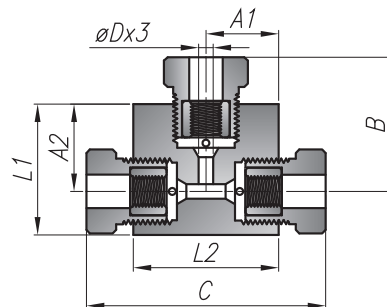
## CHHH Codo AU

Modelo	Conexión AU H	DIMENSIONES (mm)						
		L1	L2	Esp.	ØD	A1	A2	B
CHHH-2-316	1/4"	31.7	31.7	22.2	2.5	19.05	19.05	43.3
CHHH-3-316	3/8"	50.8	50.8	30	3.2	31.7	31.7	62
CHHH-5-316	9/16"	57.1	57.1	38.1	6.35	38.1	38.1	78.3



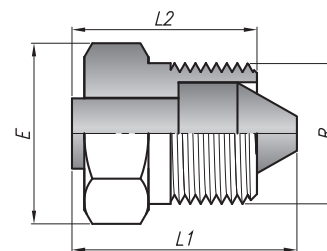
## THHH Tee AU

Modelo	Conexión AU H	DIMENSIONES (mm)							
		L1	L2	Esp.	ØD	A1	A2	B	C
THHH-2-316	1/4"	31.75	31.75	22.2	2.5	15.88	19.05	30.65	54.95
THHH-3-316	3/8"	50.8	50.8	30	3.2	25.4	31.7	46.35	80.1
THHH-5-316	9/16"	57.1	63.5	38.1	6.35	31.75	38.1	59.3	105.9



## TAPH Tapón AU

Modelo	Conexión AU M	DIMENSIONES (mm)		
		L1	L2	E
TAPH-2-316	1/4"	28.6	20.6	15.85
TAPH-3-316	3/8"	34	28.5	22.2
TAPH-5-316	9/16"	45.6	38.1	31.75



## CPCH Collar + Prensa AU

Modelo	Conexión AU	E
CPCH-2-316	1/4"	15.85
CPCH-3-316	3/8"	22.2
CPCH-5-316	9/16"	31.75

