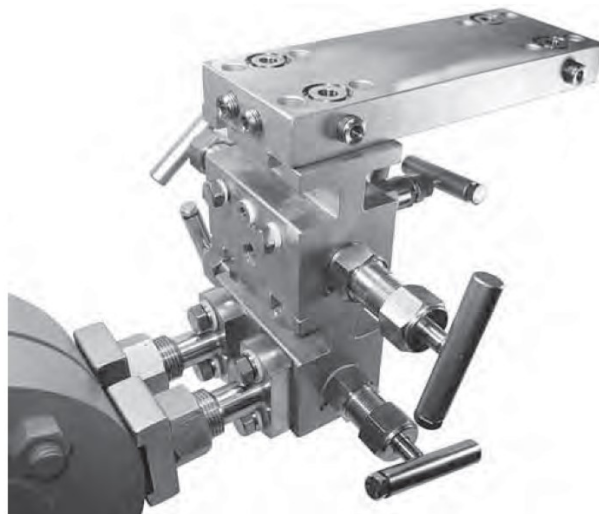


AMD Direct Mounting Accessories

Enhances the performance of M6 manifolds. It consists of an accessory system which allows the mounting of the transmitter directly on the primary element, eliminating long impulse lines. Its design provides full bore porting without diameter changes. With this you can achieve:

- An improvement in the transmitter performance against pulsating flows.
- A reduction in freezing, leakage problems etc. in the instrument connections.

The direct mounting system consists of the following basic elements:

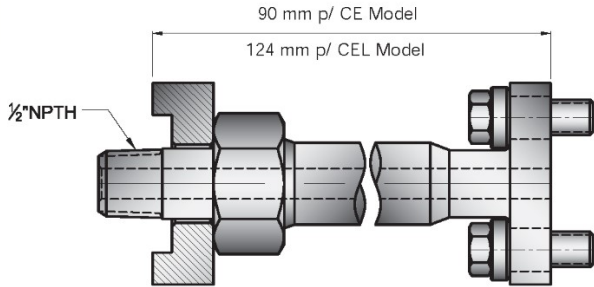


CE Stabilized Connector

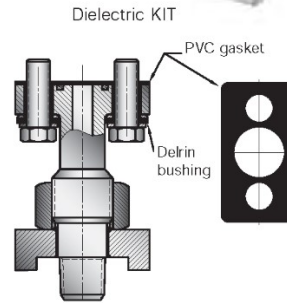
It gives a rigid connection of the manifold or adapter with the orifice plate, increasing considerably the flexion strength in the whole kit. It has a 3/8" orifice and it is totally made of AISI 316 stainless steel. The kit is completed with NF 7/16" mounting bolts and PTFE seals.



Mounting Measures



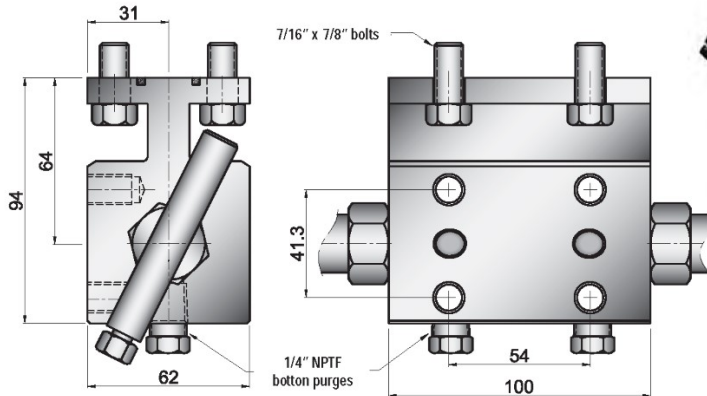
It is also available with a KD dielectric kit: dielectric isolation joint to avoid undesirable currents reaching the instrument and damaging it.



AA Right Angle Mount

It is designed to provide a 90° change in the measuring line. It is supplied with 2 block valves. It has 3/8" orifice and two 1/4" NPT lower purge ports.

Mounting Measures



PAT Perpendicular Coplanar Adapter

It is designed to mount 2 differential pressure transmitters in bidirectional flow applications or when two measurement instruments are needed to custody transfer applications.

Mounting Measures

